

HSF

NOTES:

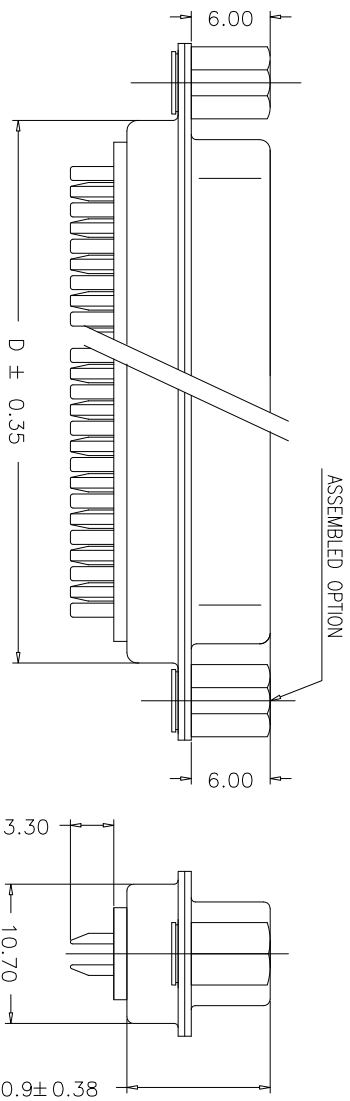
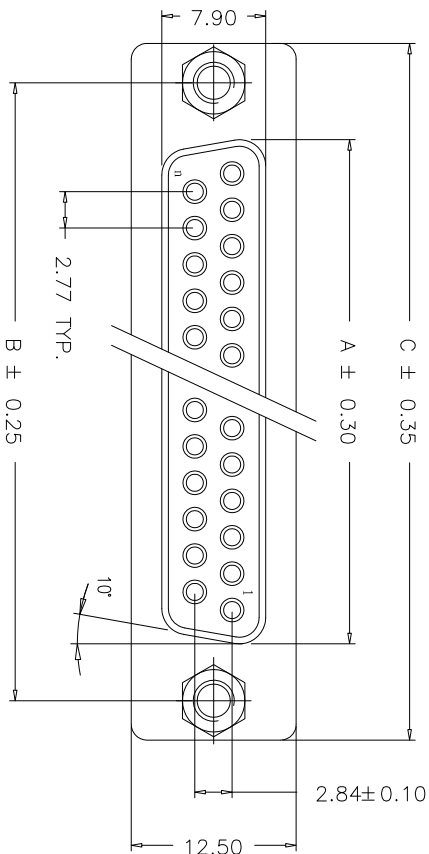
Rated Current: 5.0AMP
 Withstand Voltage: 1000V AC/Minute
 Insulation Resistance: 1000M\U+2126 min. at 500V DC.
 Operation Temperature: -55°C to +105°C

Contact Material: Brass
 Contact Plating: Au or Sn Over Ni
 Insulator Material: PBT+25% Glass Fiber(UL94V-0)
 Shell: Steel, Nickel or Tin Plated
 Revit: Brass, Nickel Plated

Ordering Information

BT6222 ** F * B A 2 B09

NO. OF PINS: 09,15,25,37P
 CONTACT PLATING: F=Gold Flash/Tin, A=10u"Gold/Tin, J=15u"Gold/Tin, K=30u"Gold/Tin, S=Tin Plated
 INSULATOR COLOR: B=Black, W=White, U=Blue
 Insulation & Packing: A: PBT+Troy, B: PBT+Tube, D: PBT+PE Bag, I: PBT+Troy, J: PBT+Tube
 SERIES NO.: 2-Revit(Nu)



No. of Positions	Dimension			
	A	B	C	D
09	16.30	24.99	30.80	19.30
15	24.80	33.32	39.20	27.70
25	38.40	47.04	53.10	41.30
37	54.84	63.50	69.40	57.30

REV	DATE	MODIFICATION DESCRIPTION	CHANGE	APPROVE
A0	09/02/18	NEW		

OPERATION	DRAW	HEMING	SCALE
XX		09/02/18	-
XXX	DESIGN		mm
XXXX	CHECK	Fanyijun	A4
Angle			1/1
± 5'	APPROVE	Bill	PROJ.

BMA TECHNOLOGIES LTD

Part No.: BT6222**F*BA2B09
 Title: D-Sub Female Solder connector,Pre-rievet nut(通孔螺母)

1 2 3 4 5 6 7 8 9 10