

HSEF

SPECIFICATIONS:

- Rated Current: 5.0AMP
- Withstand Voltage: 500V AC/minute
- Insulation Resistance: 5000M Ω Min At 500V DC
- Contact Resistance: 15m Ω
- Operation Temperature: -55°C to +105°C
- Terminal Material: Brass
- Contact Plating: Au Or Sn Over Ni
- Shell Material: Iron Nickel Plated.
- Insulator Material: PBT

Ordering Information

BT6222 09 M * B A 1 B21

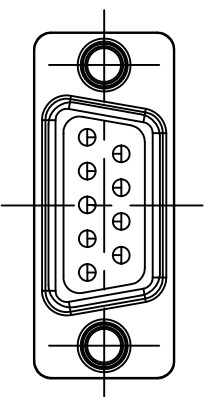
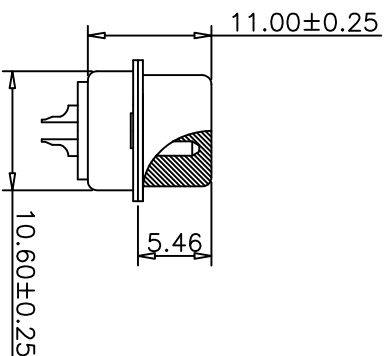
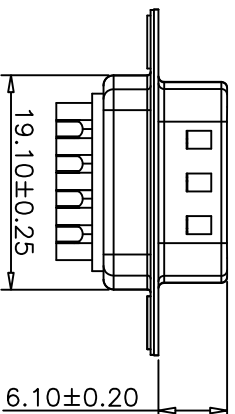
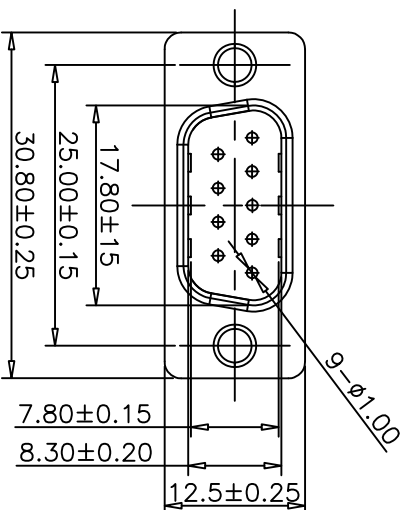
No. of pins
09Pin

M=Male

Contact Plating
F=Gold Flash/Tin

Color
B=Black

Material & Packing
A=PBT+Tray



REV	DATE	MODIFICATION DESCRIPTION	CHANGE	APPROVE	OPERATION	DRAW	SCALE	PART NO.	TITLE:										
A0	2009.04.15	NEW			<table border="1"> <tr> <td>XX</td> <td>±0.25</td> </tr> <tr> <td>XXX</td> <td>±0.15</td> </tr> <tr> <td>XXX</td> <td>±0.10</td> </tr> <tr> <td>Angle</td> <td>± 3'</td> </tr> <tr> <td>DIM</td> <td>TOL</td> </tr> </table>	XX	±0.25	XXX	±0.15	XXX	±0.10	Angle	± 3'	DIM	TOL	Qinzhirong	-	BT622209M*BA1B21	HDB Male Connector, Solder Type
XX	±0.25																		
XXX	±0.15																		
XXX	±0.10																		
Angle	± 3'																		
DIM	TOL																		
					DESIGN	UNIT													
					CHECK	SIZE													
					APPROVE	SHEET													
						PROJ.													



BMA TECHNOLOGIES LTD

THE CHINA HOLDING LTD

HSF

SPECIFICATIONS:

- Rated Current: 5.0AMP
- Withstand Voltage: 500V AC/minute
- Insulation Resistance: 5000M Ω Min.
- Operation Temperature: -55°C to +105°C
- Contact Material: Brass.
- Plating: Au Or Sn Over Ni
- Shell Material: Iron
- Insulator Material: PBT

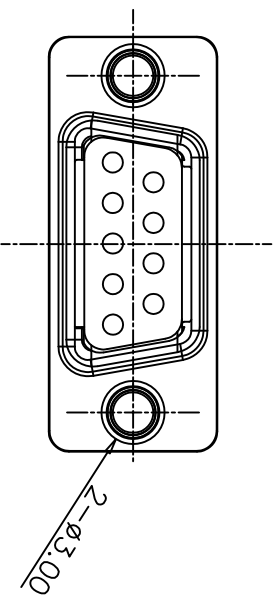
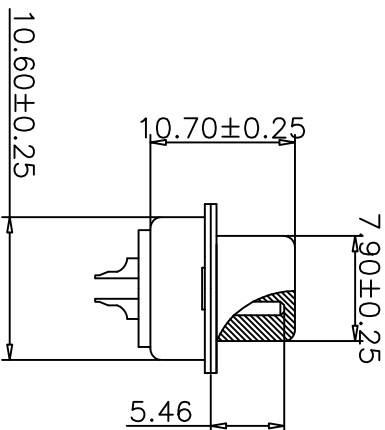
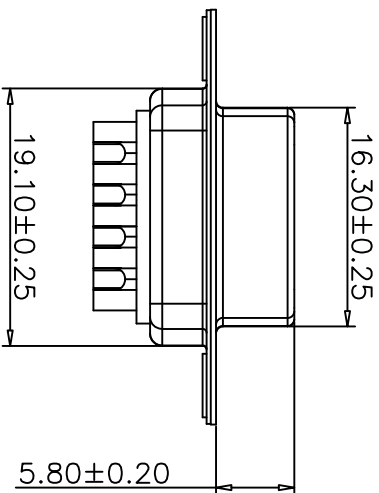
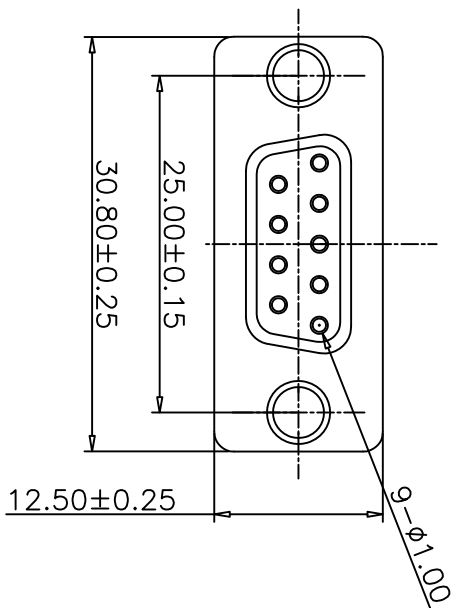
Ordering Information

BT6222 09 F * B A 1 B21

No. of pins
09 Pin

F=Female Contact Plating
F=Gold Flash/Tin B=Black A=PBT+Tray

Color
Material & Packing



REV	DATE	MODIFICATION DESCRIPTION	CHANGE	APPROVE	OPERATION		DRAW	SCALE	TITLE:	
					Angle	DIM TOL			DESIGN	UNIT
AO	2009.04.15	NEW			X.X	±0.40	Qinzhiyong	-	mm	BT622209F*BA1B21
					X.XX	±0.25			A4	
					X.XXX	±0.15			1/1	
						± 3'				

