

HSF

NOTES:

- Rated Current: 3.0AC,DC.
- Withstand Voltage: 500V AC/minute.
- Insulation Resistance: 1000M Ω min.
- Operation Temperature: -25°C to +85°C.
- Contact Material: Brass.
- Plating: Gold on Contact Area 100u" min. Tin/Lead Plated on Soldering end Over 50u" min. Nickel under-Plating.
- Shell Material: Steel, Nickel/Tin Plated.
- Insulator Material: PBT+25% Glass Fiber (UL94V-0).

Ordering Information

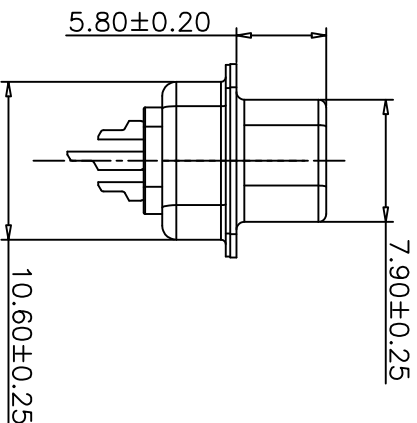
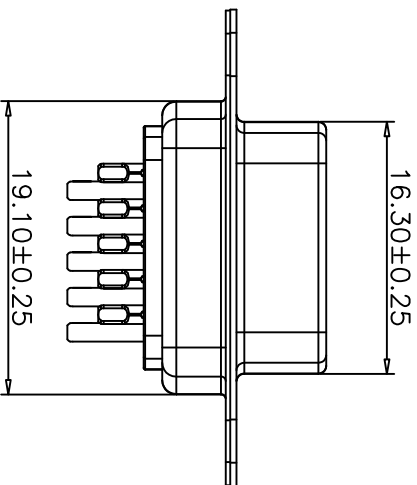
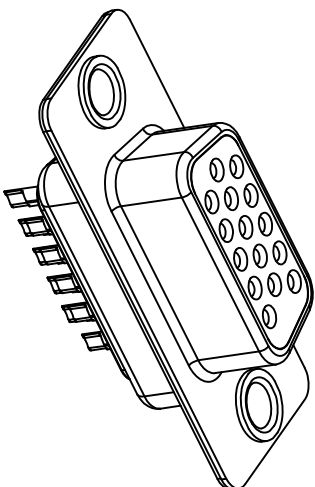
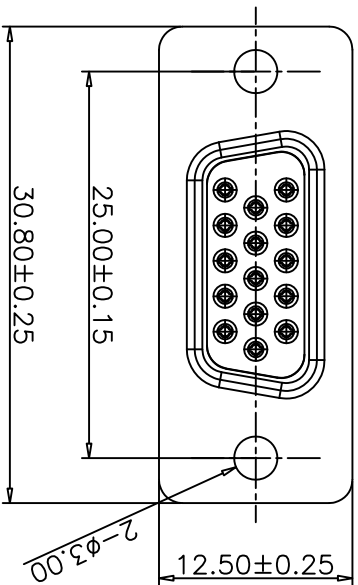
BT6212 15 F * * A 1 B21

No. of pins
15pin

F=Female Contact Plating
F=Gold Flash/Tin

Color
B=Black
A=PBT+Tray
U=Blue

Material & Packing



| REV | DATE | MODIFICATION DESCRIPTION | CHANGE | APPROVE | OPERATION | DRAW | QIUZHIRONG | 2009.04.18 | SCALE | UNIT | SHEET | PART NO. | TITLE: |
|-----|------------|--------------------------|--------|---------|----------------------------|-----------------|------------|------------|----------|------|------------------|-----------------------------------|--------|
| A0 | 2009.04.18 | NEW | | | XX XX X.XXX Angle | DESIGN CHECK | | | mm A4 | 1/1 | BT621215F**A1B21 | HDB Female Connector, Solder Type | |
| 1 | | | | | ± 3 TOL | APPROVE | CK | | | | | | |



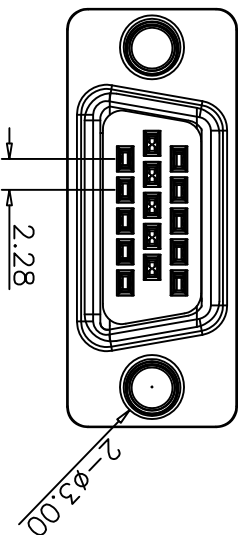
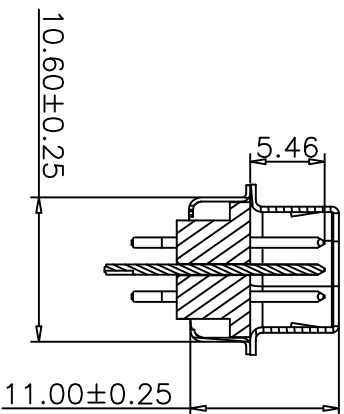
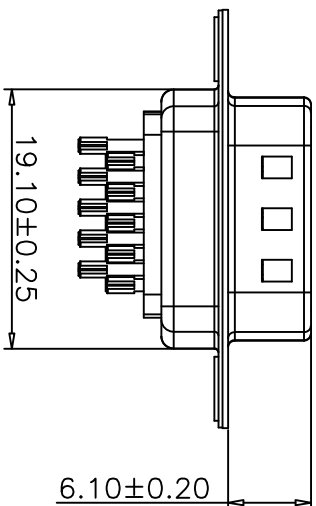
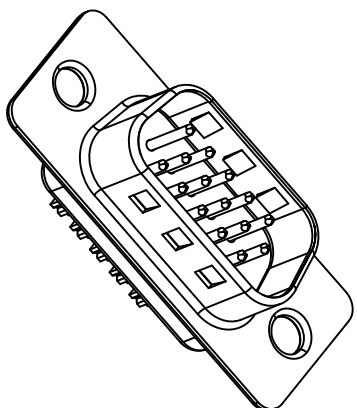
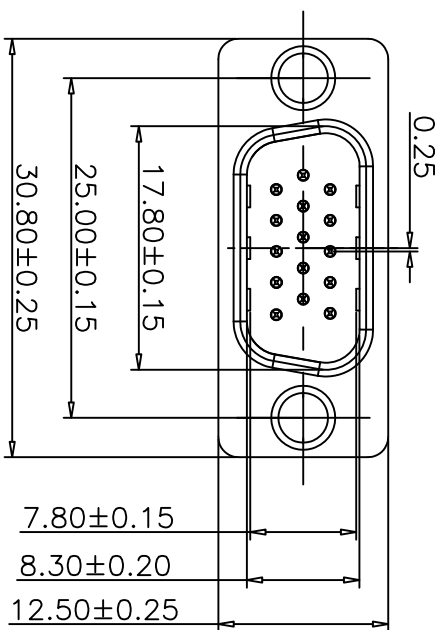
SPECIFICATIONS:

- Rated Current: 3.0A C/DC.
- Withstand Voltage: 500V AC/minute.
- Insulation Resistance: 1000MΩ min.
- Operation Temperature: -25°C to +85°C.
- Contact Material: Brass.
- Contact Plating: Au or Tin over Ni
- Shell Material: Steel, Nickel/Tin Plated.
- Insulator Material: PBT+25% Glass Fiber(UL94V-0).

Ordering Information

BT6212 15 M * * A 1 B21

No.of pins 15Pins
 M=Male
 Contact Plating F=Gold Flash/Tin
 Color B=Black U=Blue
 Material &Packing A=BT+Tray



| | | | | | | | | |
|-----|------------|--------------------------|--------|---------|---|--|---------------|--------------------------------|
| REV | DATE | MODIFICATION DESCRIPTION | CHANGE | APPROVE | OPERATION | DRAW | SCALE | PART NO. |
| A0 | 2009.04.25 | NEW | | | X.X ±0.40 X.XX ±0.25 X.XXX ±0.15 Angle ± 3° DIM TOL | Qinzhi rong DESIGN Zhangyalin CHECK CK | - mm A4 | BT621215M**A1B21 |
| | | | | | | 2009.04.25 | 1/1 | HDB Male Connector Solder Type |

