

Specification:

- Current Rating: 3.0AMP
- Contact Resistance: 20mΩ Max
- Withstand Voltage: 500V AC/DC
- Insulation Resistance: 1000MΩ Min
- Operation Temperature: -55°C ~ +85°C

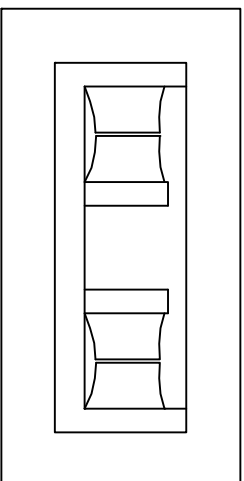
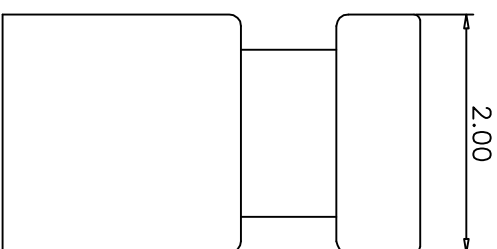
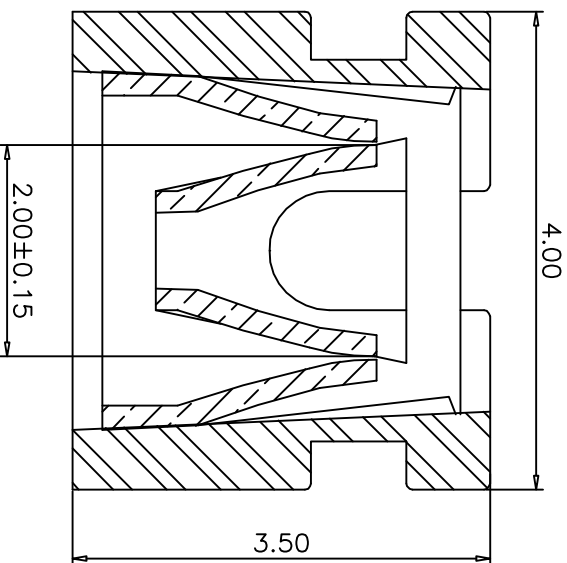
Material:

- Contact Material: Phosphor Bronze
- Contact Plating: Gold Flash Or Tin Plated
- Insulator Material: PBT(UL94V-0)

Ordering Information

BT3711 35 01 0 * * A03

H.S.G Height 35=3.5mm No.of Pin 01=1Pin Contact Shape 0=Open Contact Plating U=Gold Flash Insulation Color B=Black
 S=Tin Plated R=Red



REV	DATE	MODIFICATION DESCRIPTION	CHANGE	APPROVE	OPERATION	DRAW	Ydlin	09/01/16	SCALE	PART NO.	TITLE:
A0	09/01/16	NEW			X.X ±0.40 X.XX ±0.25 X.XXX ±0.15 Angle ± .3° DIM TOL	DESIGN	Shine	-	mm A4	BT371135010**A03	2.0mm Pitch Mini Jump H=3.5mm
						CHECK	CK				
						APPROVE					

