

Recommended P.C.B Layout(Top Side)  
(PCB BOARD TOLERANCE±0.05)

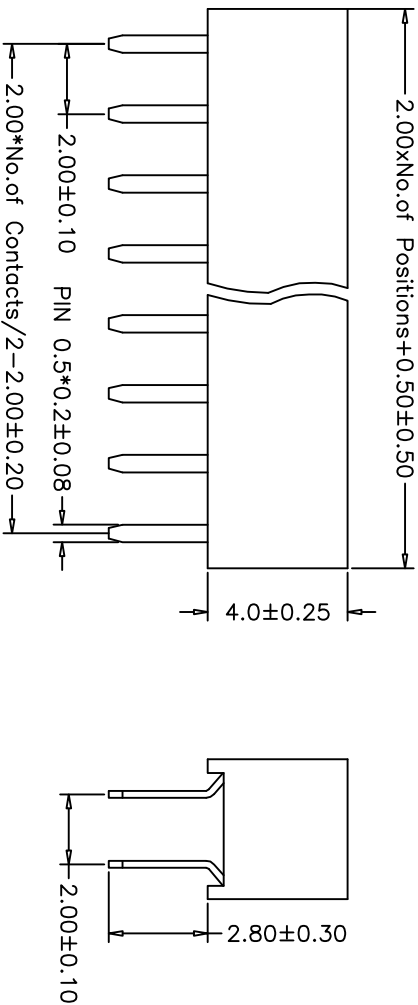
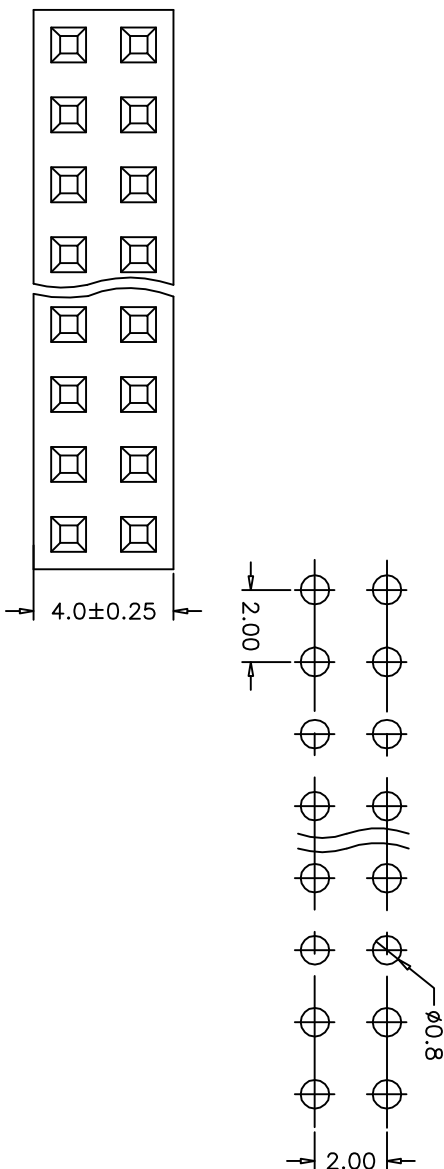
- NOTES:
- Current Rating: 1.0AMP
  - Contact Resistance: 20mΩ max
  - Withstand Voltage: 500V AC/DC
  - Insulation Resistance: 1000MΩ min
  - Operation Temperature: -40°C to +105°C

Material:  
 -Contact Material: Phosphor Bronze  
 -Contact plating: Au or Sn Over Ni  
 -Insulator Material: PA46(UL94V-0)

### Ordering Information

BT2240 2 \*\* \* 1 A03

2=Dual Row      No. of Pins      Contact Plating      Insulation & Packing  
 04-80              U=Gold Flash      E=PA46, Tube  
                      S=Tin Plated      F=PA46, Tray



OPERATION	±0.45	DRAW	Yalin	SCALE	-
X.X	±0.30	DESIGN		UNIT	mm
X.XX	±0.20	CHECK	Shine	SIZE	A4
X.XXX	± 3'	APPROVE	CK	SHEET	1/1
Angle				PART NO.	BT22402****1A03
DIM				PROJ.	
				TITLE:	PH2.00 Dual Female Header 180° H=4.0 Dip:2.8mm



1 2 3 4 5 6 7 8 9 10

A B C D E F G H