

Recommended P.C.B Layout(Top Side)  
(PCB BOARD TOLERANCE±0.05)

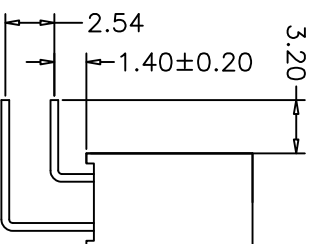
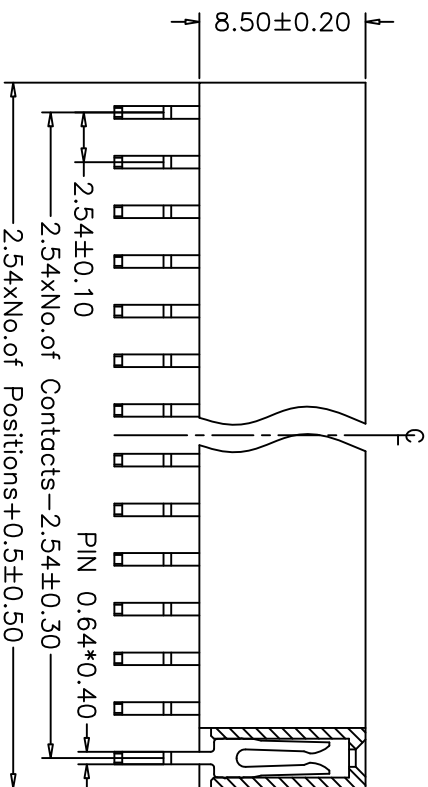
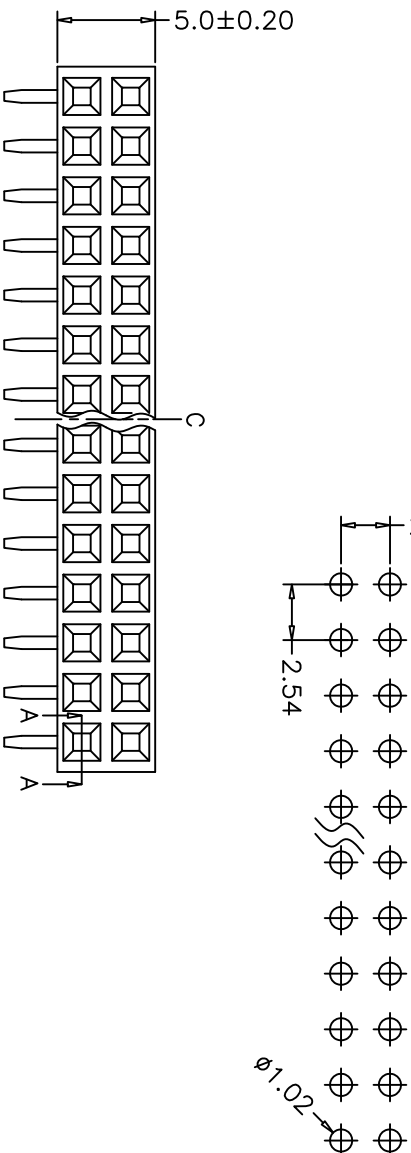
NOTES:  
 Current Rating: 3.0AMP  
 Contact Resistance: 20mΩ max  
 Withstand Voltage: 500V AC/DC  
 Insulation Resistance: 1000MΩ min  
 Operation Temperature: -40°C to +105°C

Material:  
 Contact Material: Phosphor Bronze  
 Contact plating: Au or Sn Over Ni  
 Insulator Material: PBT(UL94V-0)

## Ordering Information

BT2185 2 \*\* \* A 2 A03

2=Double Row No.of Pins Contact Plating Insulation & Packing Contact Shape  
 02-40 U=Gold Flash A=PBT + Tray 2=Right Angle  
 X=10μ"Gold  
 W=15μ"Gold  
 Y=20μ"Gold  
 Z=30μ"Gold



### Section A-A

|     |          |                          |        |         |
|-----|----------|--------------------------|--------|---------|
| REV | DATE     | MODIFICATION DESCRIPTION | CHANGE | APPROVE |
| A0  | 09/01/18 | NEW                      |        |         |

|           |         |       |          |          |  |
|-----------|---------|-------|----------|----------|--|
| OPERATION | DRAW    | Yalin | 09/01/18 | SCALE    | -  |
| X.X       | DESIGN  |       |          | UNIT     | mm                                       |
| X.XX      | CHECK   | Shine |          | SIZE     | A4                                       |
| X.XXX     | APPROVE | CK    |          | SHEET    | 1/1                                      |
| Angle     |         |       |          | PART NO. | BT21852***A2A03                          |
| ± .3°     |         |       |          | TITLE:   | PH2.54 Dual I R/A Female Header H=8.50mm |
| ± .3°     |         |       |          |          |  |



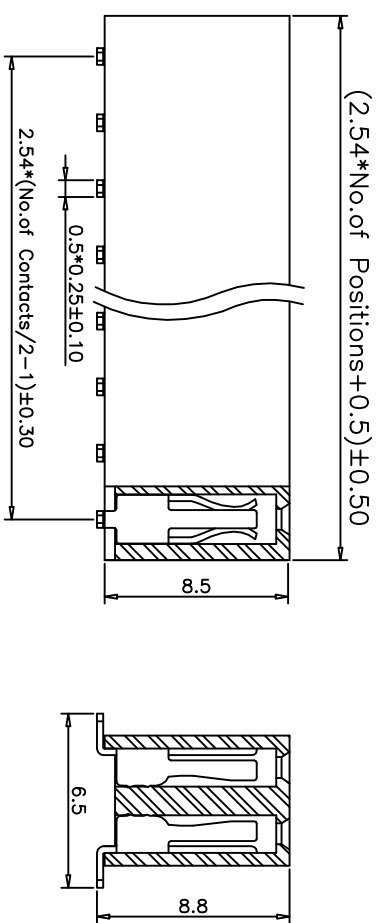
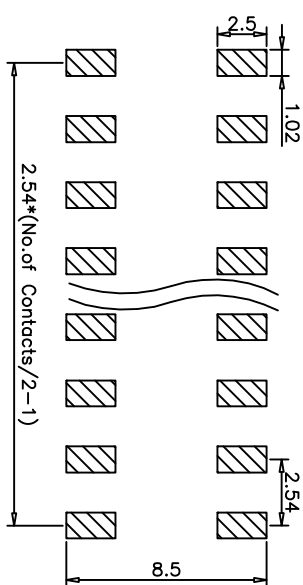
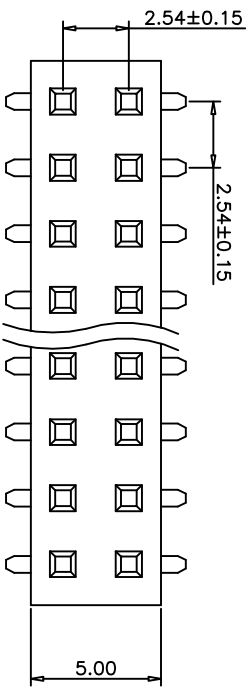
- Specifications:
- Current Rating: 3A
  - Contact Resistance: 20mΩ Max
  - Withstand Voltage: 500V AC
  - Insulation Resistance: 1000MΩ Min
  - Operation Temperature: -40°C ~ +105°C

- Material:
- Contact Material: Brass
  - Finish: Gold Flash All Over Nickel
  - Insulator Material: PA6T(UL94V-0)

### Ordering Information

BT2185 2 \* \* \* I 3 A03

2=Dual Row      No. of Pins      Contact Plating      Insulation & Packing      Contact Shape  
 04-80P      U=Gold Flash      I=PA6T+Tray      3= SMT



| REV | DATE     | MODIFICATION DESCRIPTION | CHANGE | APPROVE | OPERATION |       | DRAW    | SCALE | PART NO.                      |
|-----|----------|--------------------------|--------|---------|-----------|-------|---------|-------|-------------------------------|
|     |          |                          |        |         | Angle     | TOL   |         |       |                               |
| A0  | 09/06/18 | NEW                      |        |         | X.X       | ±0.35 | Yal in  | -     | BT21852***13A03               |
|     |          |                          |        |         | X.XX      | ±0.25 | DESIGN  | mm    | PH2.54mm H=8.5mm Dual Row SMT |
|     |          |                          |        |         | X.XXX     | ±0.15 | CHECK   | A4    |                               |
|     |          |                          |        |         | Angle     | ± 3'  | APPROVE | 1/1   |                               |
|     |          |                          |        |         | DIM       |       | CK      | PROJ. |                               |

